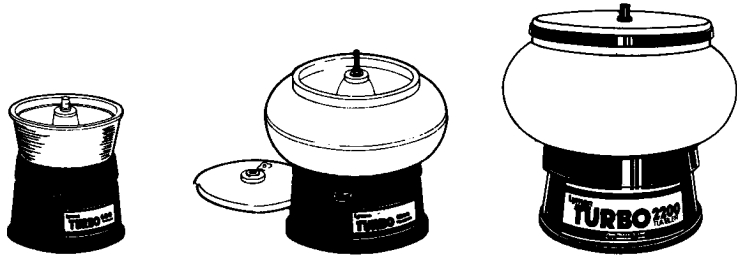


Turbo Tumbler Pop Top, 600, 1200 and 2500 Pro Magnum

By purchasing one of Lyman's Turbo Tumblers you have invested in the finest and fastest cartridge case polishing system available. The Turbo Pop Top, 600, Turbo 1200 or the 2500 Pro Magnum will let you reload with a "factory finish" when you use Lyman Turbo Tumbler Media. Our Turbo Tumblers are easy to use and make reloading and shooting more enjoyable.

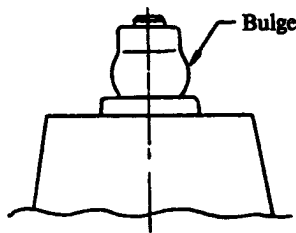
General Instructions – Turbo Pop Top, 600, Turbo 1200 and 2500 Pro Magnum

Your new Turbo Tumbler (Pop Top, 600, 1200, or 2500 Pro Magnum) is delivered completely assembled with the bowl and cover and grounded electrical cord. Your Turbo Tumbler will clean cases equally effectively with or without the cover installed.



Cover Removal: Turbo Pop Top, 600, 1200 – To remove the cover, unscrew the rubber-coated nut in the center of the bowl cover. With the nut removed, the top cover will lift off.

Note: It is essential that the nut be tightened securely so that the cover will not vibrate loose. When reinstalling the cover, tighten the nut until the rubber begins to bulge (see sketch.)



Cover Removal: 2500 Pro Magnum – Loosen and remove the wing nut and washer in the center of the bowl cover. The cover then lifts off. When reinstalling the cover, be sure to tighten the wing nut securely over the steel washer so the cover will not vibrate loose.

Bowl Removal: Turbo Pop Top, 600, 1200 and 2500 Pro Magnum – To remove the bowl, loosen the nut (600/1200-rubber-coated nut; 2500 Pro Magnum-wing nut and washer) at the top of the central pillar in the bowl. Remove the nut/washer and lift off the bowl.

Note: It is essential that the nut holding the bowl down be maintained snug enough to tightly

Turbo Tumblers (continued)

hold the bowl against the platform base. If the bowl becomes loose, polishing action will be reduced and vibration of the unit will be increased.

Operating Procedure for Turbo Tumblers

Your new Turbo Tumbler requires no break-in. Never turn the Tumbler on without the bowl installed. The Turbo Tumbler has been designed so that it will not walk during normal operation if the bowl is securely locked in place. If, however, the bowl vibrates loose, the machine may “walk” or travel around during operation. We recommend that the Tumbler be placed on a solid surface away from any combustible materials when running. If the Tumbler is to be used on a bench, it is a good idea to place it in a position where it cannot fall off the bench if some movement occurs.

Important Safety Information

1. Under no circumstances should live ammo or primed cases be tumbled.
2. Your Turbo Tumbler, or any other electrical device, should not be operated in a wet atmosphere or around water.
3. Be certain to always use a grounded three-prong outlet to prevent possible electric shock.
4. Never cover the Tumbler with anything to insulate the noise (blanket, box, etc.). Do not obstruct air flow around or under unit. Operate unit on a smooth hard surface. Do not operate on soft materials such as a carpet, tablecloth, cardboard, newspaper etc. as it could overheat and be a fire hazard.

Polishing

Add media to the Tumbler bowl until it is half to three-quarters full. See capacity chart on page 52 for specific load. Add the cases to be polished and turn on the machine. The cases will settle into the media and begin to move through the media. Polishing has commenced.

Check the cases from time to time for the level of polish desired. In most cases, two to four hours is all that is required, unless the brass is particularly badly tarnished.

Once the cartridge cases have the desired polish on them, they may be removed from the Tumbler. There are two ways to go about this: 1) Leave the machine running, removing the cases one at a time holding the case mouth down and against the central vibrating stem to shake loose any media within the case itself; 2) using a colander or basket and shake the media into a bucket or some sort of receptacle. Once the bulk of the media has been cleared away, take each case and tap it lightly, mouth down, to remove any remaining media.

It is important to be sure all of the media has been removed from the cases. This is particularly true of bottleneck cases, but is easily accomplished with one of the two systems above. Be sure to check the flash holes of unprimed cases and remove any media which may have become lodged in the hole.

Turbo Tumblers (continued)

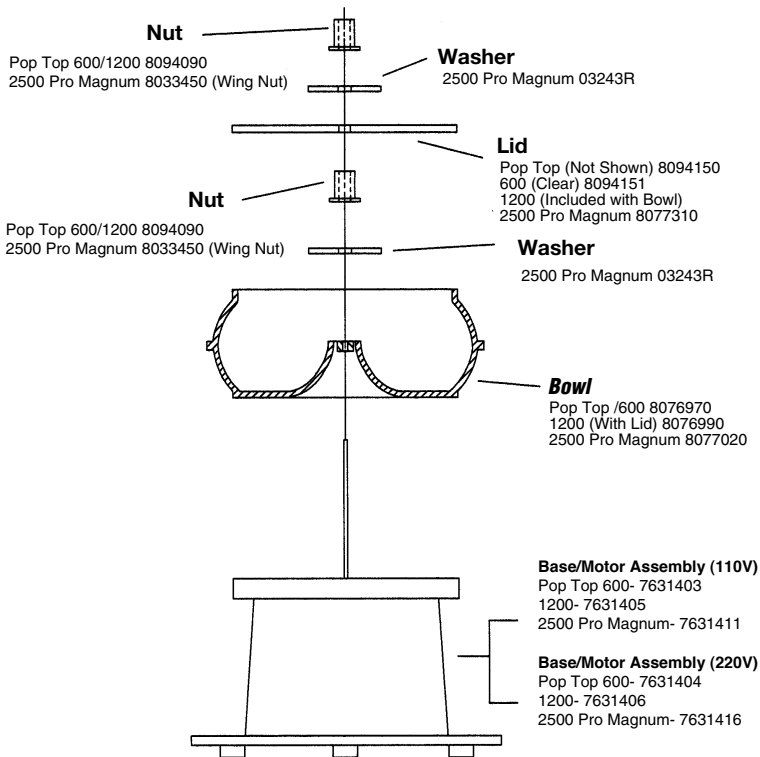
Turbo-1200 Accessory Bowl

Convert your 600 Turbo Tumbler to a 1200 instantly. Also serves as an alternate bowl for either the 600 or 1200 Turbo Tumbler when more than one type of media is used. Grid top serves as a handy sifter when separating media from brass. The accessory bowl has the same capacity as the Model 1200. Item #7631323

Turbo-Liquid System 600 Accessory Bowl

Convert your 600 or 1200 Turbo™ Tumbler for liquid use. Includes standard 600 bowl with solid, durable lid for clean, safe use of wet or dry media. Comes with necessary hardware for conversion. Item #7631399

STANDARD TURBO TUMBLERS



Turbo Tumblers (continued)

Operating Instructions – Auto Flo Models 1200, 2200, 3200 and 2500 Pro Mag

The 1200, 2200, 3200 and 2500 Pro Mag are new and very special models in the Lyman Turbo Tumbler family. The Auto-Flo models allow easy and convenient separation of your cases from the dry polishing media. After polishing, it takes just a couple of minutes to drain the media from the specially designed bowl (patented), leaving the cases clean for reloading.

Instructions

Please refer to the general instructions and operating procedures for the Turbo Tumblers located in the previous section.

NOTE: The procedure for removing/replacing the bowl is the same as described in the general instructions except for an extra part, the separation chamber (see illustration). It is important to reassemble the parts as shown and to tighten the nut holding the bowl and separation chamber down securely.

Separating Instructions

The Auto-Flo models have a special feature which allows the media to be separated from the cases quickly and easily. When the polishing cycle is finished, simply position the media drain pan under the Auto - Flo exit port, remove the plug and turn on the tumbler. Even though the media will drain out of the bowl very quickly, it will be necessary to reach into the bowl and “mix up” the cases a few times to allow the media caught inside the cases to empty. Allowing the empty cases to vibrate in the bowl for a few seconds after the media is drained will also help to remove the media in the case flash hole. This entire process will only take a few minutes. When the separation is complete, remove the cases from the bowl, replace the plug and pour the media back into the tumbler. Your Auto-Flo Turbo Tumbler is now ready for the next load of cases.

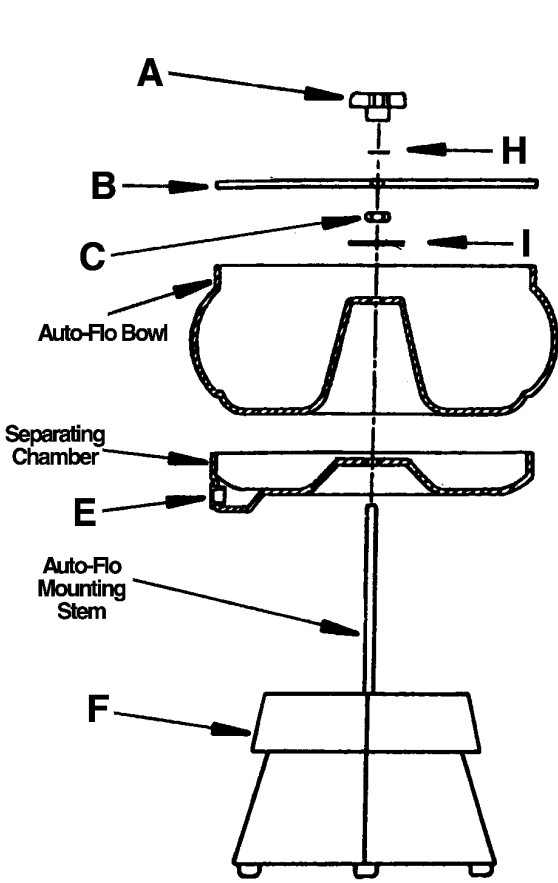
NOTE: It is important to be sure all of the media has been removed from the cases. This is particularly true of bottleneck cases. Also, be sure to check the flash holes of unprimed cases and remove any media which may have become lodged in the hole with the Lyman Flash Hole Cleaning Tool, sold separately.

TURBO TUMBLER CAPACITIES**

Model #	# of .38 Special	# of 30-06	Media Charge
Model 600/Pop Top	175	60	1 lb.
Model 1200	350	125	2 lbs.
Model 1200 Auto Flo	350	125	3 lbs.
Model 2200 Auto Flo	750	250	5 lbs.
Model 2500 Pro Magnum	1000	315	6 lbs.
Model 2500 Pro Mag Auto Flo	1000	315	6.5 lbs.
Model 3200 Auto Flo	1200	450	7 lbs.

**Nominal – can vary based on individual user’s needs.

Turbo Tumblers (continued)



- A**
Lid Nut
 1200 Rubber Nut* 8094090
 2500/2200 Wing Nut 8033450
 3200 Knob 8095060

- B**
Lid*
 1200 (Solid) 8077270
 2200 (Clear) 8094920
 2500 (Black) 8077310
 3200 (Clear) 8095020

- C**
Bowl Nut
 1200 Wing Nut *03333R
 2200/3200 Hex Nut 8033900
 2500 Wing Nut 8033450

- E**
Export Plug/Drain Plug
 All Models 8075970

- F**
Base/Motor Assembly
 1200 110 Volt 7631405
 1200 220 Volt 7631406
 2200 110 Volt 7631409
 2200 220 Volt 7631410
 2500 110 Volt 7631411
 2500 220 Volt 7631416
 3200 110 Volt 7631407
 3200 220 Volt 7631408

- H**
Lid Washer
 2200/3200 Models only 8077280
 2500 Model only 03243R

- I**
Bowl Washer
 1200 03238R
 2500 03243R
 2200/3200 8077300
 (Rubber Side Face Down)

- G**
Media Drain Pan (Not Shown)*
 1200/2200/2500 8047370
 3200 8095490

Please note: Auto Flo bowls and separating chambers may not be purchased separately except for the model 2500. They must be purchased as a set for proper fit.

*These components are available as a complete Auto-Flo separating system.

7631636 Fits 1200 & 600 Tumbler Base

7631644 Fits 3200 Tumbler base

7631640 Fits 2200 Tumbler Base

Note: Some Auto-Flo models have a clear see-thru lid. To protect in shipping these lids are covered with a peel off paper to be removed before use.