

Range

BenchLoader™

Heavy-duty 30-round magazine loader

Fits:

- All AR15 / M4 compatible 5.56 NATO / .223 mags:
- USGI Aluminum (NATO STANAG 4179).
- Polymer mags (PMAG and all others).
- HK416 / SA80 steel mags.

- Loads loose / bulk rounds.

Users:

- Competition shooters
- Shooting ranges
- Military & LE armories
- Ammunition & firearm manufacturers

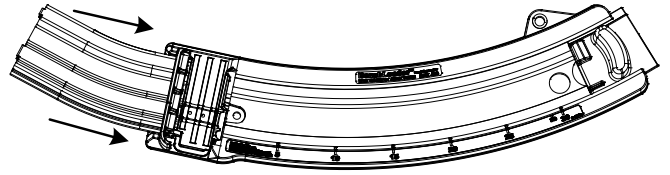
Advantages:

- Heavy-duty design allows loading hundreds of magazines daily !
- Painless, quick, comfortable operation.
- Allows examination of rounds prior to loading.
- Single-stroke loading action.
- Eliminates wear on feed lips; prolongs mag. life.
- No maintenance or training required.
- Durable top-quality reinforced polymer.
- Portable, range bag packable.
- Length 42cm (16.5"), weight 360gr (12.7 oz.)

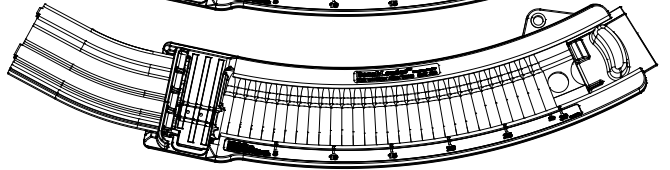
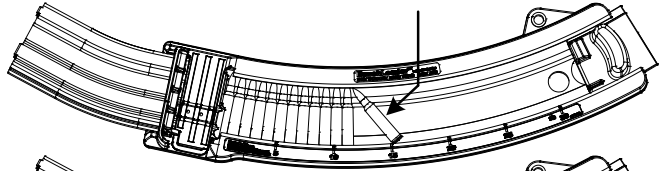


Operating instructions:

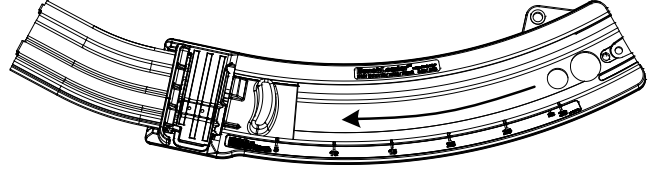
1. Slide in and lock the magazine in the loader.



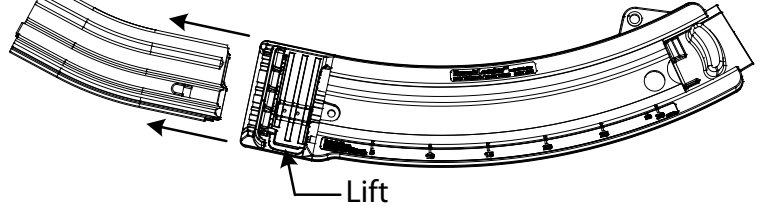
2. Place a round diagonally then straighten and crowd towards the magazine. Fill up to 30 rounds.



3. Quickly slide the SLIDER towards the magazine.



4. Lift the MAG RELEASE and remove the magazine.

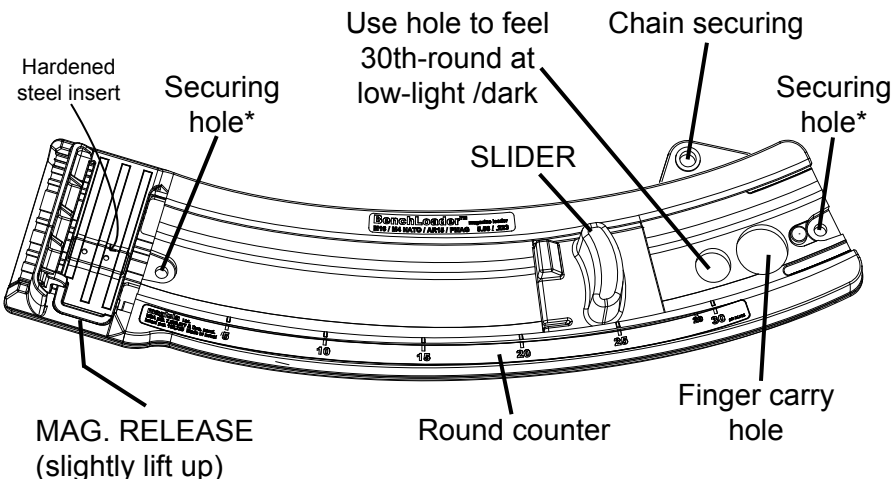


CAUTIONS:

- Use suitable magazine and rounds;
- Do not try to overfill the magazine;
- Stop loading upon excessive resistance from the Slider (Example: If the mag. is full or jammed, or faulty rounds).
- When securing the loader to a surface by screws - do not overtighten.
- To reduce noise during loading - place the loader on a cloth, like a towel.

Note: The manufacturer shall not be liable for direct, indirect, incidental or consequential damages arising from misuse, accident, neglect, or from customer adjustments to the loader.

- Does not load blank rounds.
- Does not load old SIG black polymer mags.



*Use screws, do not overtighten !

Also available:
SUPER-DUTY 5.56 BenchLoaders:

- AR15 / M4 / PMAG
- STEYR AUG and AR15/M4 combined
- HK G36
- Galil 5.56

maglula Ltd.
P.O. Box 302
Rosh Ha'ayin 48103
Israel

Item# **BL71B**
Range BenchLoader

Made In Israel
www.maglula.com
U.S. Design Pat. Pend.
U.S. Pat. 7,059,077; Israel Pat. 160,729
BenchLoader is a trademark of maglula Ltd.

WARNING: This product contains chemicals known to the State of California to cause cancer and birth defects or other reproductive harm.

2015 © by maglula Ltd.